

# diaco

## The dental chair for wheelchair patients

### FLOOR PLAN

**Dimensions:**

Unit Dimensions 1285mm x 905mm

Unit Weight 200kgs

Safe Working Load (SWL) 500kgs

**Declaration of Conformity:**

EC Machinery Directive 98/37/EC

EC Directive 73/23/EEC - LVD

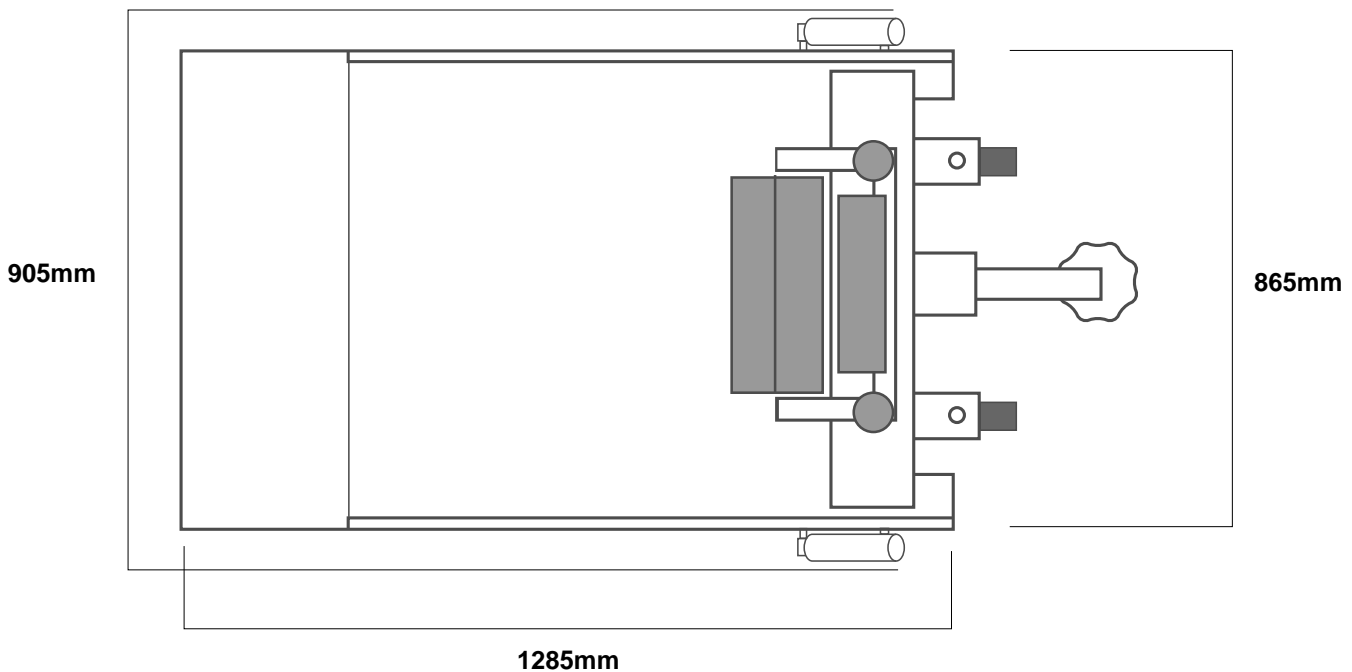
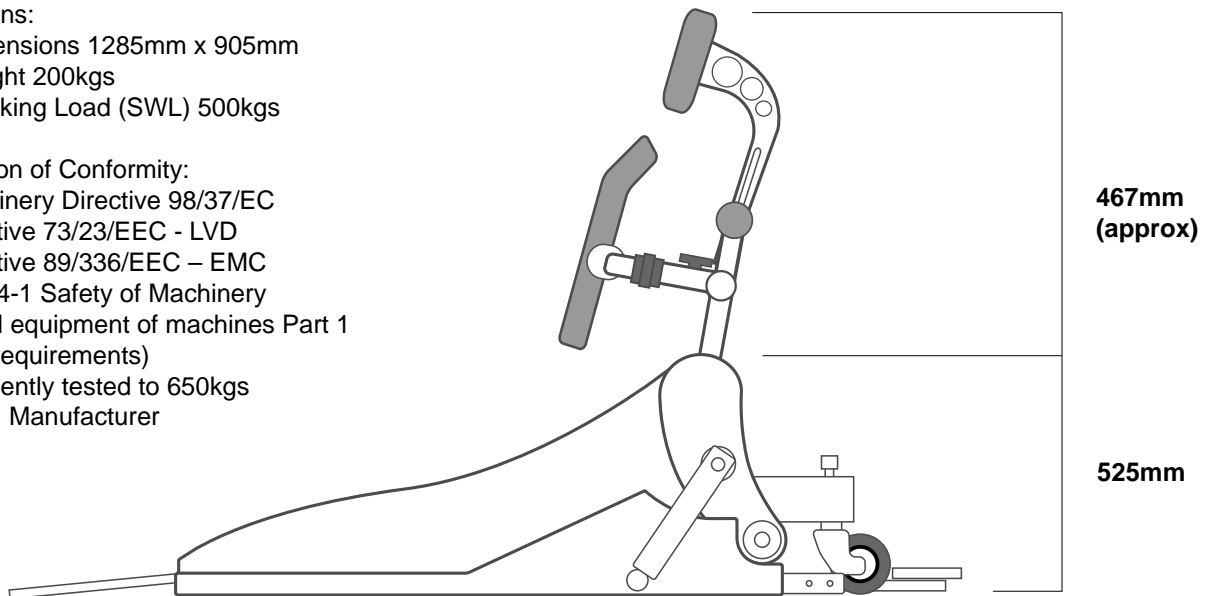
EC Directive 89/336/EEC – EMC

EN B0204-1 Safety of Machinery

(electrical equipment of machines Part 1  
General requirements)

Independently tested to 650kgs

ISO 9001 Manufacturer



**For more information contact diaco:**

t. 0800 043 9368 (UK) +44 1273 455 666 (International) | w. [www.diaco.co.uk](http://www.diaco.co.uk) | e. [sales@diaco.co.uk](mailto:sales@diaco.co.uk)

This is for guidance purposes only, specifications subject to change without notice © diaco limited